

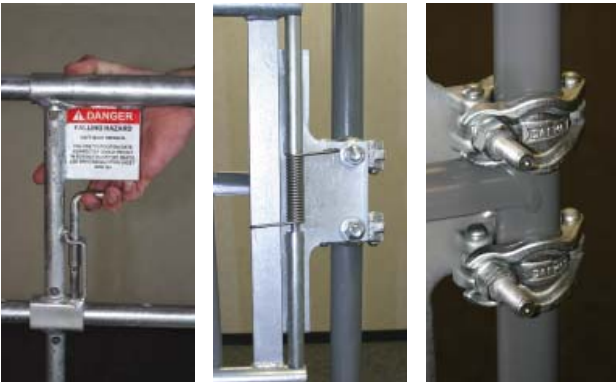
Adjustable Guardrail Gate

Product Fact Sheet



Part No. & Description	GRGA Adjustable Guardrail Gate
Weight	27.9 lbs.

Safway's Adjustable Guardrail Gate was designed for use on a wide variety of scaffold types. Equipped with a positive locking mechanism, the gate can be adjusted to span widths from 32" to 52". The gate is hot-dipped galvanized for added durability.



Features and Benefits

- **Versatile:** compatible with Systems™, Sectional Frames, and Tube & Clamp Scaffolds
- **Compliant:** meets Federal OSHA and Cal/OSHA guardrail height requirement when used with Safway products
- **Adaptable:** can be used to replace existing Safway gates FOGS, GRGIDH and FMIG
- **Universal:** designed to fit the following Safway frames at the intermediate level: FO6L, FO6L4, FO6L42, FM6 and LOF6. Not for 3 ft.-wide frames at the intermediate level
- **Top access:** Designed for any frame style having a width of 4', 3' 6" or 3' at the top level
- **Flexible:** adjusts in width to fit most applications
- **Secure:** positive locking mechanism ensures gate adjustment will not deviate from position
- **Easy to install:** can use existing tools
- **Safe:** spring-loaded hinge pushes gate closed

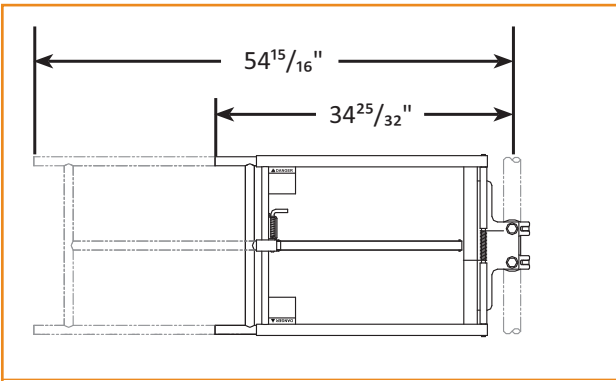


Figure 1 – Gate Width Adjustment Range

Related Documentation:

Adjustable Guardrail Gate Installation Instructions (ORN 107)