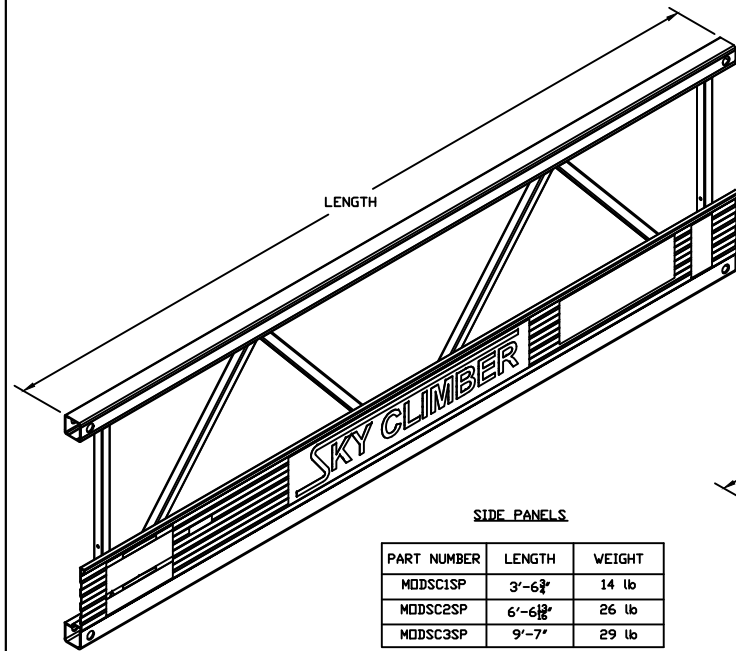
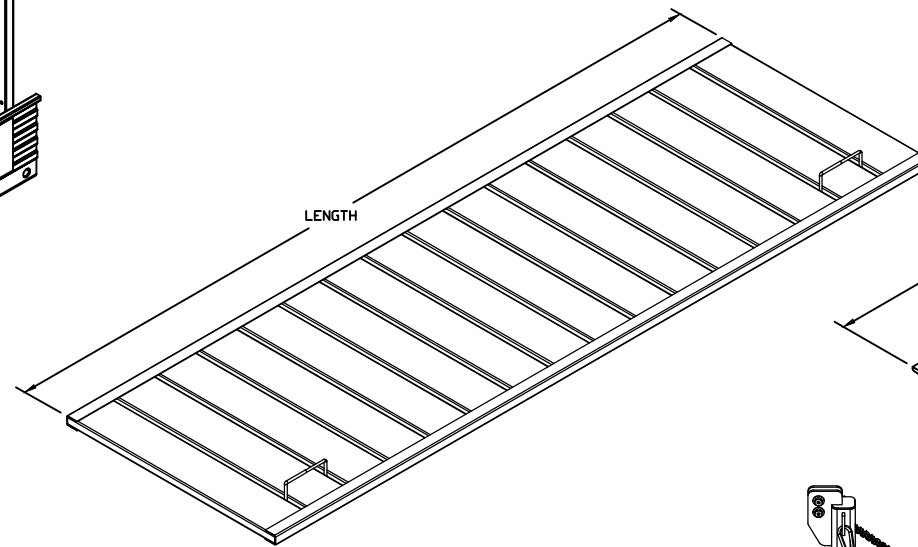


# SKYCLIMBER COMPONENT IDENTIFICATION



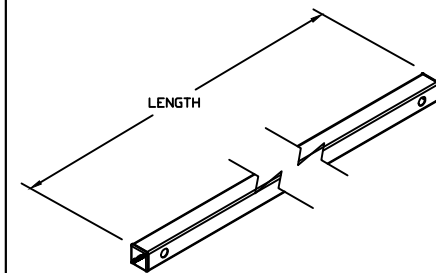
SIDE PANELS

PART NUMBER	LENGTH	WEIGHT
MODSC1SP	3'-6 $\frac{3}{4}$ "	14 lb
MODSC2SP	6'-6 $\frac{3}{4}$ "	26 lb
MODSC3SP	9'-7"	29 lb



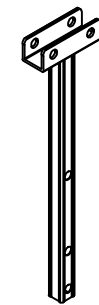
FLOOR PANELS

PART NUMBER	LENGTH	WEIGHT
MODSC1D	3'-6 $\frac{3}{4}$ "	15 lb
MODSC2D	6'-6 $\frac{3}{4}$ "	27 lb
MODSC3D	9'-7"	37 lb



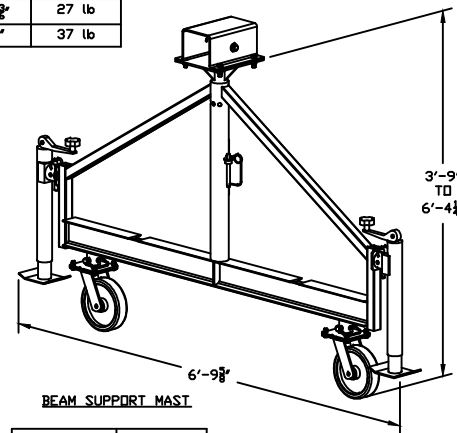
TOP RAILS

PART NUMBER	LENGTH	WEIGHT
MODSC1R	3'-8 $\frac{1}{2}$ "	3 lbs.
MODSC2R	6'-8 $\frac{1}{2}$ "	5 lbs.
MODSC3R	9'-8 $\frac{1}{2}$ "	7 lbs.



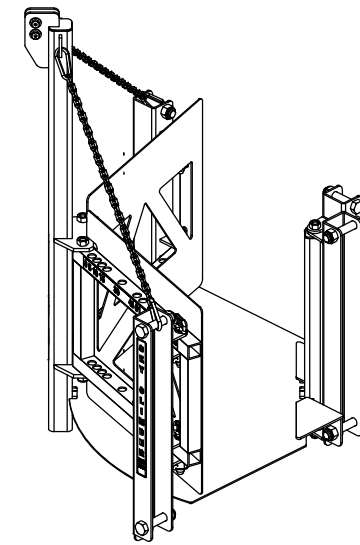
EXTENSION POST

PART NUMBER	WEIGHT
MODSCPST	2 lb



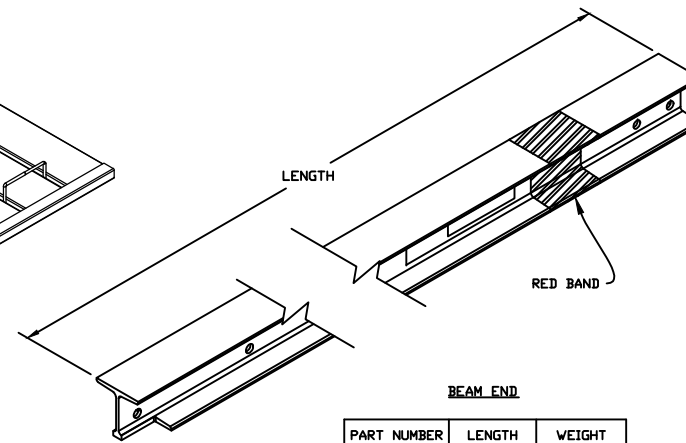
BEAM SUPPORT MAST

PART NUMBER	WEIGHT
MRSCBSM	78 lb



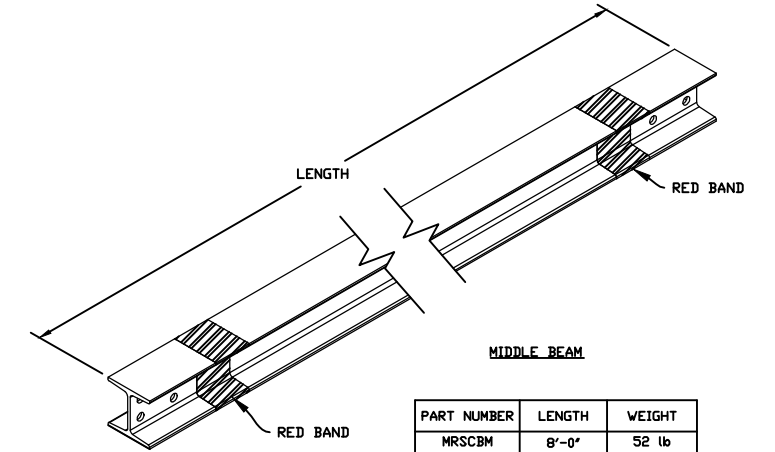
ADJUSTABLE CORNER

PART NUMBER	WEIGHT
MODSCC90ADJ	132 lb



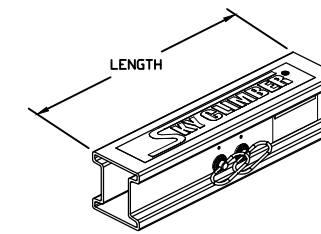
BEAM END

PART NUMBER	LENGTH	WEIGHT
MRSCBF	8'-0"	52 lb



MIDDLE BEAM

PART NUMBER	LENGTH	WEIGHT
MRSCBM	8'-0"	52 lb



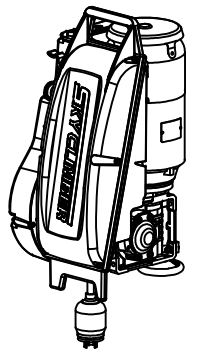
BEAM CONNECTION TUBE

PART NUMBER	LENGTH	WEIGHT
MRSCCT	2'-0"	8 lb



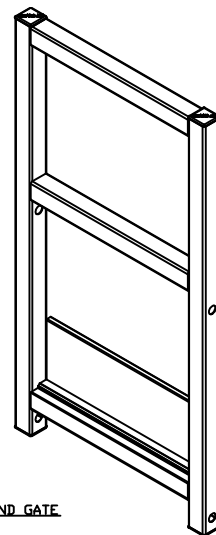
LNX PENDANT CONTROL

PART NUMBER	WEIGHT
LNK-RP6	2 lb
LNK-RP12	3 lb



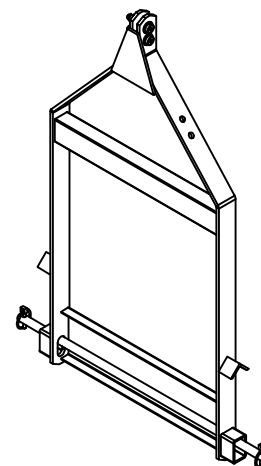
LNX HOIST

PART NUMBER	WEIGHT
LNK-1250-208-VM	105 lb



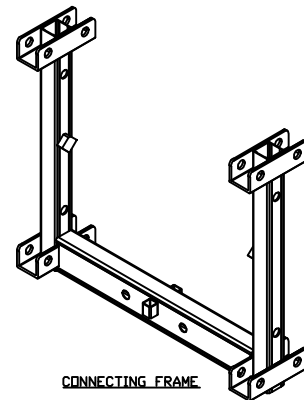
END GATE

PART NUMBER	WEIGHT
MODSCSEG	15 lb



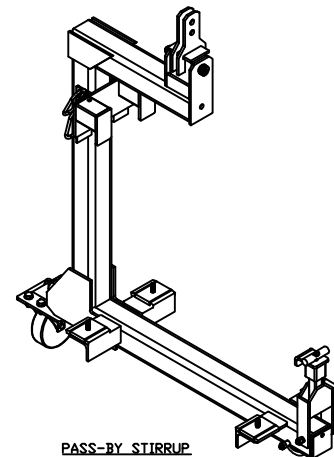
END STIRRUP

PART NUMBER	WEIGHT
MODSCSE	32 lb



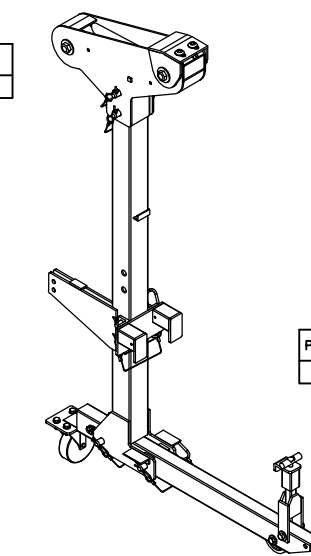
CONNECTING FRAME

PART NUMBER	WEIGHT
MODSCUF	10 lb



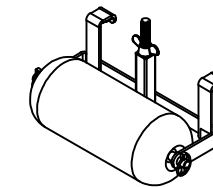
PASS-BY STIRRUP

PART NUMBER	WEIGHT
MODSCSFC	96 lb



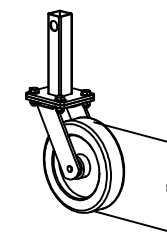
MOVEABLE WALK-BY LOW PROFILE STIRRUP

PART NUMBER	WEIGHT
MODSCFC	126 lb



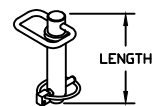
WALL ROLLER

PART NUMBER	WEIGHT
MODSCBRA	10 lb



CASTER ASSEMBLY

PART NUMBER	WEIGHT
MODSCCAS	10 lb



SAFETY PIN

PART NUMBER	LENGTH	WEIGHT
MODSCSPIN	4 $\frac{3}{8}$ "	1 lb



Description:  
SKYCLIMBER COMPONENT IDENTIFICATION

ORN 3301 Rev. C 11/16

Safway Group Holding LLC  
Corporate Headquarters  
N19 W24200 Riverwood Drive  
Waukesha, WI 53188  
Toll free: (800) 558-4772  
Telephone: (262) 523-6500  
[www.safwaygroup.com](http://www.safwaygroup.com)