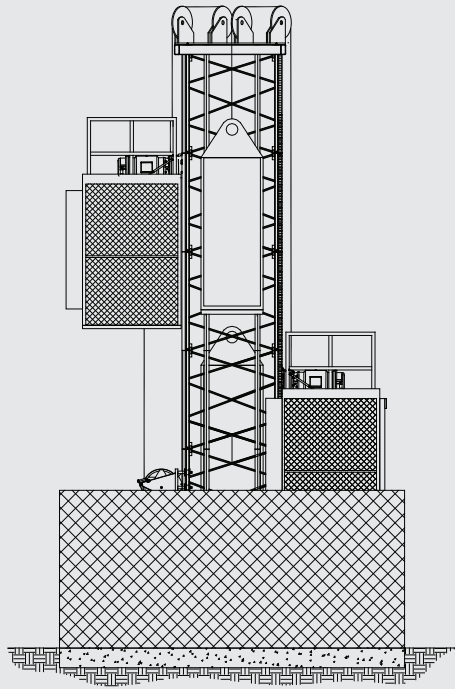


# Safcar™ Personnel/Material Hoist

## Model US 6002-2R

### Single/Dual Car

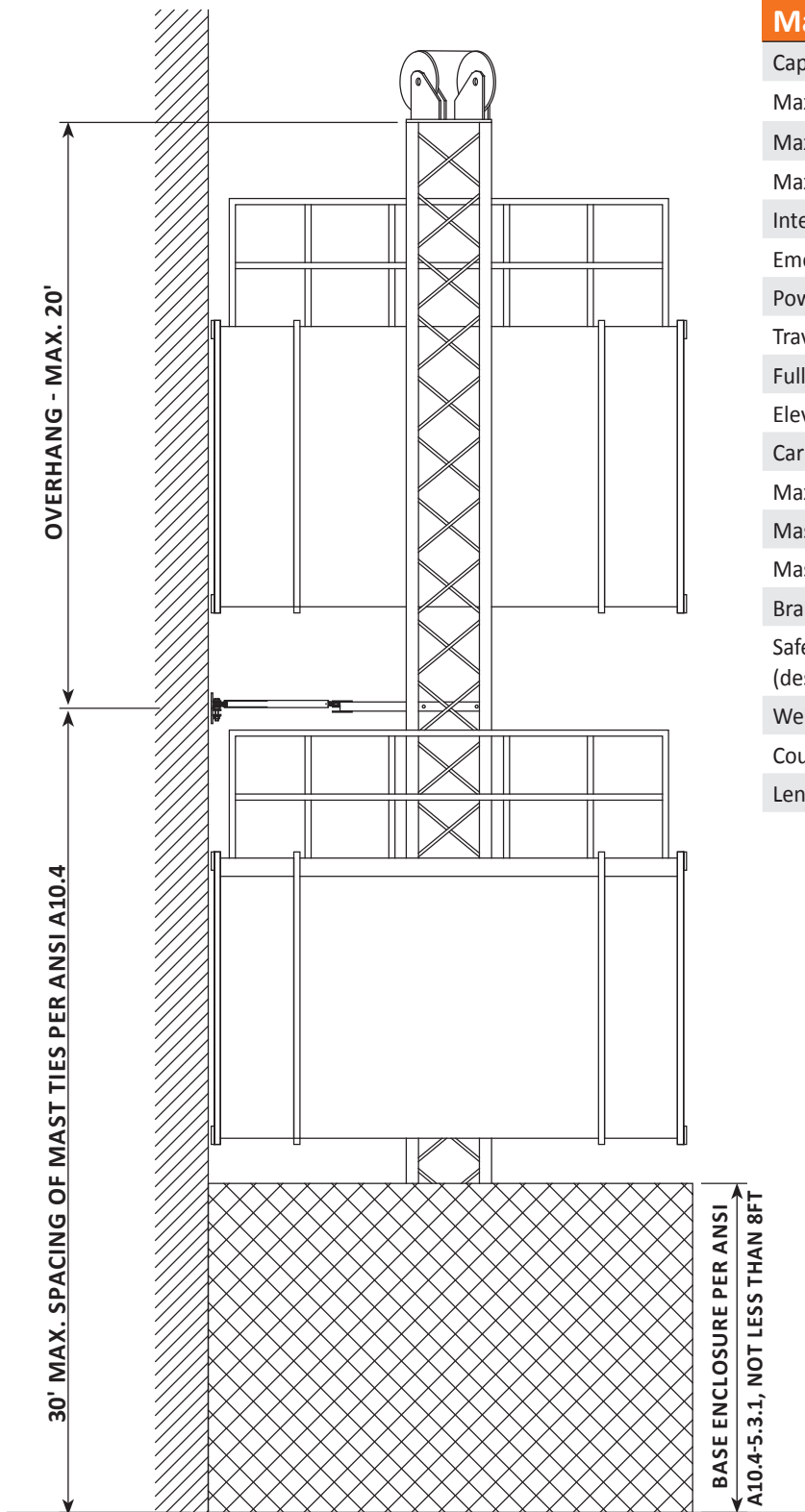


THE SMART WAY™

**SAFWAY®** Group

# Personnel / Material Hoist

## Specifications US 6002-2R



### Manufacturers Model US 6002-2R

|   |   |
|---|---|
| Capacity (Safe Working Load - lbs)      | 6,000   |
| Maximum Passengers                      | 30  |
| Maximum Car Speed (ft./min)             | 300   |
| Maximum Tower Height (ft.)              | 900   |
| Interior dimensions LxWxH               | 12'4" x 4'8" x 7'2"                                 |
| Emergency Trap Door                     | 40 sq. in.  |
| Power Requirements Per Car              | 89amps @ 480V - 60Hz - 3 PH                         |
| Traveling Power Cable                   | 6/4   |
| Full Load Current Per Car               | 89 amps   |
| Elevator Drive                          | Rack & Pinion                                       |
| Car Weight (lbs.)                       | 6,400   |
| Maximum Tie-In Spacing                  | 30'   |
| Mast Section Dimensions                 | 60" x 28" x 56"                                     |
| Mast Section Weight (lbs.)              | 565   |
| Brake (description)                     | Electromechanical Multiple Disc                     |
| Safety Overspeed Governor (description) | Centrifugally Actuated Multiple Friction Disc Brake |
| Weight of Counterweight (lbs.)          | 7,600   |
| Counterweight Wire Rope                 | 5/8"  |
| Length of Counterweight Rope            | 4x Tower Ht. +40'                                   |

#### Features:

- Spring-set disc brake on hoist motor
- Speed governor overspeed switch
- Gate switches preventing operation of hoist with open doors
- Base enclosure
- Buffer stand and springs
- Power cord guide wheel assembly

#### Optional Features & Services:

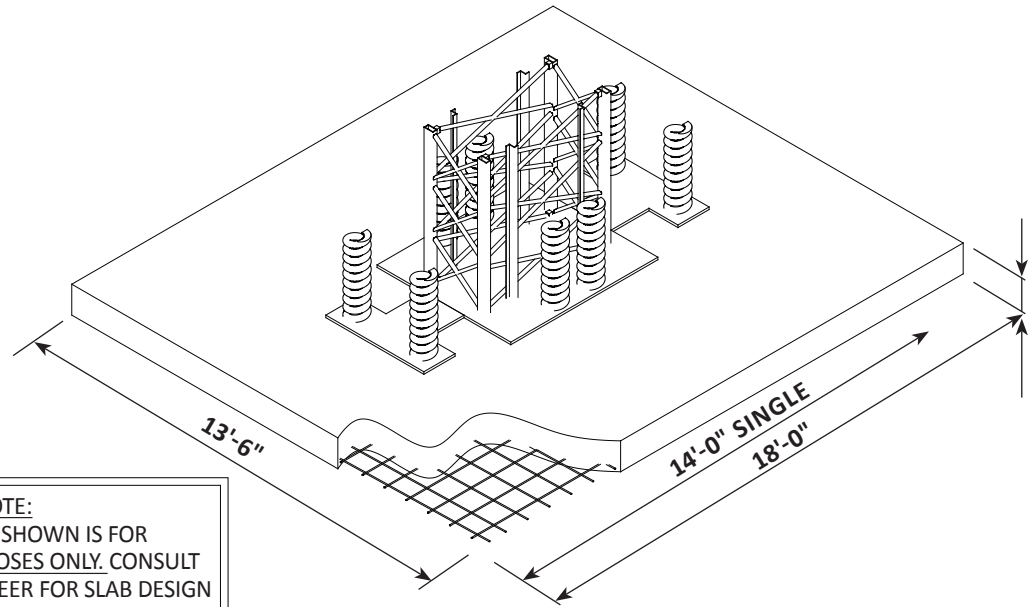
- Base platform and stairs
- Building landing gates
- Communication or signal system
- Preventative Maintenance
- Drop Test & Test Weights



# Personnel / Material Hoist

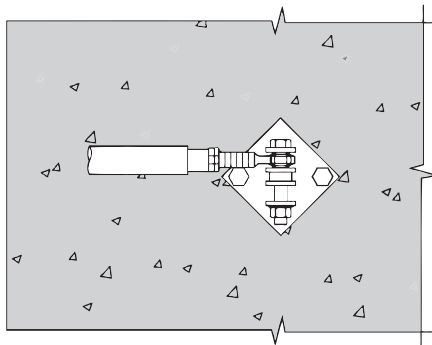
## Specifications US 6002-2R

### Foundation

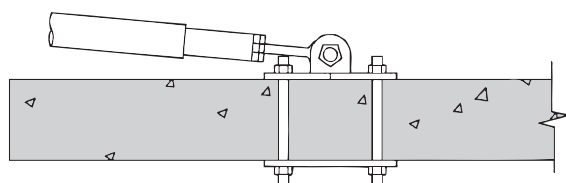


### Mast Bracing Connections

#### Top or bottom of slab

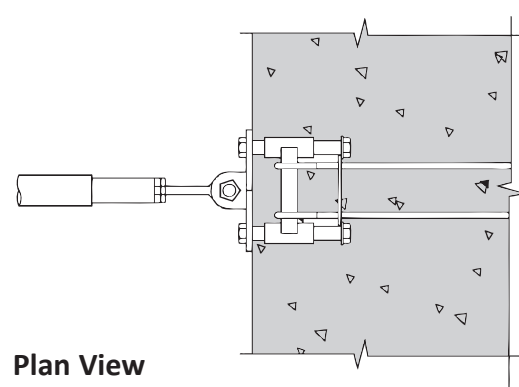


**Plan View**

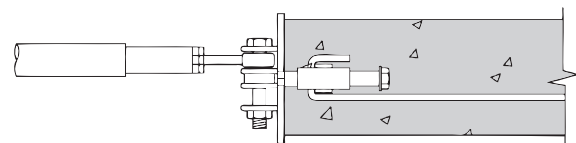


**Elevation**

#### Edge of slab w/embed anchor



**Plan View**



**Elevation**

**Safway Group Holding LLC**  
N19 W24200 Riverwood Drive  
Waukesha, WI 53188  
Toll free: (800) 558-4772  
Telephone: (262) 523-6500

Visit our website at [www.safwaygroup.com](http://www.safwaygroup.com)

©2015 Safway Group Holding LLC. All rights reserved.

All drawings in this guide are for illustrative purposes only. This guide is intended for general information purposes only. Because of the many variables which affect the performance of the product line, some of the information in this brochure may not apply. For specific applications, contact Safway.  
Note: All scaffolds shall be erected, modified and dismantled only under the supervision of a Competent Person. Erection, use, maintenance and disassembly must conform to current manufacturer's instructions as well as all federal, state, provincial and local regulations. Copies of complete Safety Guidelines for these and other products are available from Safway without charge.